

31AH6LLG790 (2007)
Auger & Auger Housing

Page 2 of 11

Ref #	Part Number	Qty	S/P/F	Description
1	731-2635	1		Snow Removal Tool Mount
2	684-04057A	1	S	Impeller Assembly, 12"
3	710-0347	1	/P	Hex, Screw, 3/8-16, 1.75
4	710-0451	1	/P	Carriage Bolt, 5/16-18, .750
5	710-04484	1		Screw, 5/16-18, 0.750
6	710-0703	1	/P	Carriage Screw, 1/4-20, .750
7	712-04063	1	/P	Flange Lock Nut, 5/16-18, Nylon
8	712-04064	1	/P	Flange Lock Nut, 1/4-20, Nylon
9	712-04065	1	/P	Flange Lock Nut, 3/8-16, Nylon
10	714-04040	1		Bow-Tie Cotter Pin
11	725-0157	1	/P	Cable Tie, 3/16 x .05 x 7.4
12	726-04012	1	S	Push-On Nut, .25
13	731-04705	1	S	Chute Adapter, 5"
14	732-04460	1		Extension Spring, .38 OD x 4.59
15	736-0174	1	/P	Wave Washer, .625 x .885 x .015
16	736-0242	1	/P	Bell Washer, .340 x .872 x .060
17	731-2643	1	S	Snow Removal Tool
18	738-0143	1	/P	Shoulder Screw, .498 x .34, 3/8-16
19	738-0281	1	S	Shoulder Screw, .625 x .17, 3/8-16
20	738-04124A	1	/P	Shear Pin, .25 x 1.50
21	741-0245	1	S	Hex Flange Bearing
22	741-0309	1	S	Ball Bearing, .75 ID x 1.85 OD
23	756-0981B	1	S	Idler Flat Pulley, 2.75 OD
24	790-00075	1		Bearing Housing, 1.85 ID
25	790-00080	1		Auger Idler Bracket W/ Brake
26	618-04170A	1	S	Auger Gearbox Assembly, 22"
26	618-04171A	1	S	Auger Gearbox Assembly, 24"
26	618-04172A	1	S	Auger Gearbox Assembly, 26"
26	618-04173A	1	S	Auger Gearbox Assembly, 28"
26	618-04165A	1	S	Auger Gearbox Assembly, 30"
27	684-04067	1		Auger Housing Assembly, 22"
27	684-04069	1		Auger Housing Assembly, 24"
27	684-04071	1		Auger Housing Assembly, 26"
27	684-04073	1		Auger Housing Assembly, 28"
27	684-04267	1		Auger Housing Assembly, 30"
28	684-04107	1		Spiral Assembly, LH
29	684-04108	1		Spiral Assembly, RH
30	731-04870	1		Spacer, 1.25 OD x .75 ID x 1.00
31	736-0188	1	/P	Flat Washer, .76 x 1.49 x .06
32	741-0493A	1	/P	Flange Bushing, .80 ID x .91 OD
33	790-00087A	1		Hex Bearing Housing, 1"
34	790-00117	1		Shave Plate, 22"
34	790-00120	1		Shave Plate, 24"
34	790-00121	1		Shave Plate, 26"
34	790-00118	1		Shave Plate, 28"
34	790-00119	1		Shave Plate, 30"
35	784-5580	1		Skid Shoe, Standard
35	790-00091	1		Skid Shoe, Deluxe
35	731-05984	1	S	Skid Shoe, Plastic
35	790-00141	1		Skid Shoe, Stainless
36	618-0123A	1	S	Auger Housing, RH Reduced
37	618-0124A	1	S	Auger Housing, LH Reduced
38	721-0327	1		Oil Seal, 1.131 x 1.88

31AH6LLG790 (2007)
Auger & Auger Housing

Page 3 of 11

Ref #	Part Number	Qty	S/P/F	Description
39	741-0662	1		Flange Bearing, .75 x 1.0 x .59
40	710-0642	1	/P	Self-tapping Screw, 1/4-20, 0.750
41	711-04286	1		Auger Axle, 22"
41	711-04285	1		Auger Axle, 24"
41	711-04284	1		Auger Axle, 26"
41	711-04283	1		Auger Axle, 28"
41	711-04282	1		Auger Axle, 30"
42	714-0161	1	S	Hi-Pro Key, 3/16 x 5/8
43	715-04021	1		Dowel Pin, .25 OD x 1.2
44	717-04126	1	S	Worm Shaft, .75 OD
45	717-04449	1	S	Worm Gear, 20T
46	718-04071	1		Thurst Collar
47	721-0325	1		Plug, 1/4 x .437
48	721-0327	1		Oil Seal, .75 x 1 x .131
49	736-0351	1	S	Flat Washer, .760 ID x 1.5 OD
50	736-3084	1	/P	Flat Washer, .51 x 1.12
51	741-0663	1		Flange Bearing, .75 x 1.0 x .925
52	741-0662	1		Flange Bearing, .75 x 1.00 x .59
53	746-04230	1		Auger Clutch Cable, 47.23"
54	629-0071	1	S	Extension Cord, 110V, 3-prong
55	790-00181	1		Drift Cutters

31AH6LLG790 (2007)
Drive System

Page 5 of 11

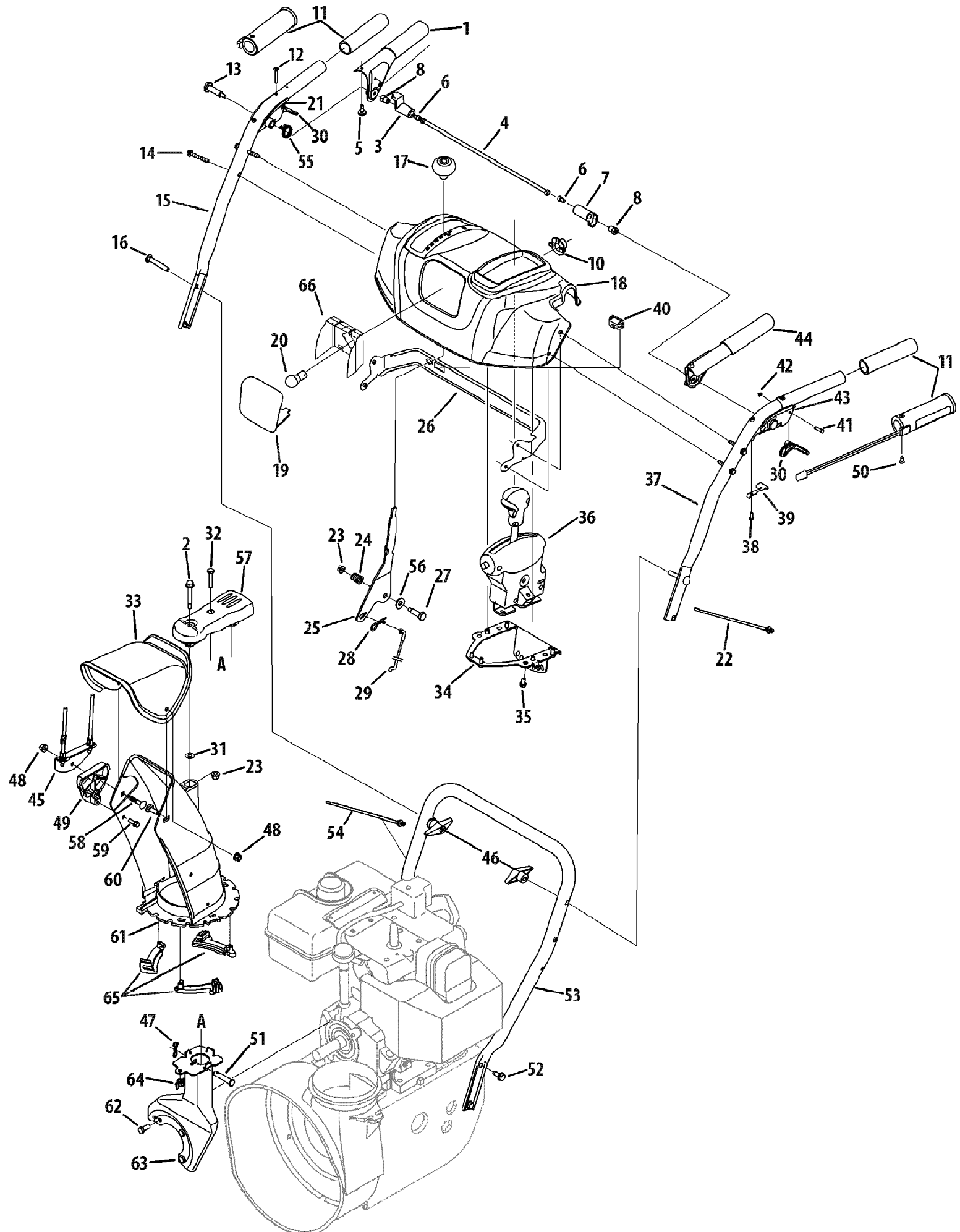
Ref #	Part Number	Qty	S/P/F	Description
1	656-04025A	1	/P	Disc Assmby, Friction Wheel
2	684-04153	1		Friction Wheel Assembly, 5.5 OD
3	684-04154	1	S	Friction Wheel Support Bracket
4	684-04156A	1		Rod Shift Assembly
5	710-1652	1	/P	Hex Screw, 5/16-24 x .750
6	710-0788	1	/P	Screw, 1/4-20 x 1.000
7	710-0896	1	/P	Screw, 1/4-20 x .625
8	712-04065	1	/P	Flange Lock Nut, 3/8-16, Nylon
9	712-0413	1	S	Jam Lock Nut, 5/8-18, Nylon
10	714-0126	1	S	Hi-pro Key, 6/16 x 3/4 Dia
11	716-0104	1	S	E-Ring, .500 Dia
12	716-0136	1		Retaining E-Ring, .875 Dia
13	716-0231	1	S	E-Ring, .750 Dia
14	717-04209A	1	S	Hex Shaft, .8125, 7-Tooth
15	717-04230	1	S	Gear, 80-Tooth
16	726-0221	1	/P	Speed Nut, .500
17	732-0264	1	S	Extension Spring
18	736-0242	1	/P	Bell Washer, .340 x .872 x .060
19	736-0287	1	S	Flat Washer, .793 x 1.24 x .060
20	736-04161	1		Flat Washer, .75 x 1.00 x .060
21	748-0234	1	/P	Shoulder Spacer
22	790-00289A	1	S	Cover Plate
23	738-04184A	1		Shoulder Screw, .37 x .105, 1/4-20
24	738-0924A	1	/P	Screw, 1/4-28, .375
25	741-0245	1	S	Hex Flange Bearing
26	741-0563	1	S	Ball Bearing, 17 x 40 x12
27	746-04229	1		Wheel Clutch Cable, 44.95"
28	750-04571	1		Shoulder Spacer, .26 x .79 x .538
29	748-0190	1	/P	Spacer, .508 iD x .75 OD x .68
30	756-0625	1		Cable Roller
31	790-00096	1	S	Auger Cable Front Bracket
32	790-00180	1		Frame
33	790-00206A	1	S	Auger Cable Guide Bracket
34	790-00207A	1	S	Drive Cable Guide Bracket
35	790-00316	1		Frame Cover
36A	634-04144A	1	/P	Snow Hog Wheel Assembly 13 x 4
36A	634-04142A	1	/P	Snow Hog Wheel Assembly 15 x 5
36A	634-04141	1		Snow Hog Wheel Assembly 16 x 4.8
36B	634-04145	1		X-Trac Wheel Assy., LH 16 x 4.8 x 8
36B	634-04146	1		X-Trac Wheel Assy., RH 16 x 4.8 x 8
36B	634-04167A	1	S	X-Trac Wheel Assy., LH 13 x 4 x 6
36B	634-04168A	1	S	X-Trac Wheel Assy., RH 13 x 4 x 6
37	731-04873	1		Spacer, 1.25 x .75 x 3.0
38	738-04168	1	S	Axle, .75 x 22"
39	684-04169	1		Idler Pulley Assembly
40	710-0809	1		Hex Screw, 1/4-20 x 1.25
41	710-0191	1	/P	Hex Screw, 3/8-24, 1.25
42	710-0672	1	/P	Hex Screw, 5/16-24, 1.25
43	710-0654A	1	/P	Sems Screw, 3/8-16 x 1.00
44	710-1245B	1	/P	Hex Screw, 5/16-24 , .875
45	726-04012	1	S	Push-On Nut, .25 Dia
46	731-04792A	1	/P	Belt Cover
47	732-04308A	1	/P	Spacer, .850 ID x .354

31AH6LLG790 (2007)
Drive System

Page 6 of 11

Ref #	Part Number	Qty	S/P/F	Description
48	736-0247	1	/P	Flat Washer, .34 x 1.50 x .150
49	736-0119	1	S	Lock Washer, .3125
50	736-0505	1		Flat Washer, .406 x 1.25 x .157
51	748-04053A	1	/P	Adapter Pulley, .75 Dia
52	748-04112A	1	S	Shoulder Spacer, .317 x .50 x .102
53	750-04303	1		Spacer, .875 ID x 1.185 OD
54	750-04477	1		Spacer, .340 x .750 x .360
55	754-04050	1	S	Auger Drive Belt
56	754-0367	1	S	Wheel Drive Belt
57	756-04109	1		Auger Drive Pulley, 8.1 x .5
58	756-04113	1		Pulley Half, V x 2.600 OD
59	756-04252	1		Pulley Half, 1/4-V x 1.5 OD
60	790-00208B	1	S	Wheel Drive Idler Bracket
61	618-0063A	1		Bearing Assembly
62	N/A	1		Friction Wheel Hub Purchase Ref. # 2, 684-04153
63	735-04054	1	S	Friction Wheel Rubber
64	790-00174	1		Friction Wheel Plate

31AH6LLG790 (2007)
L-Style Handle, Frame & Discharge Chute



31AH6LLG790 (2007)
L-Style Handle, Frame & Discharge Chute

Page 8 of 11

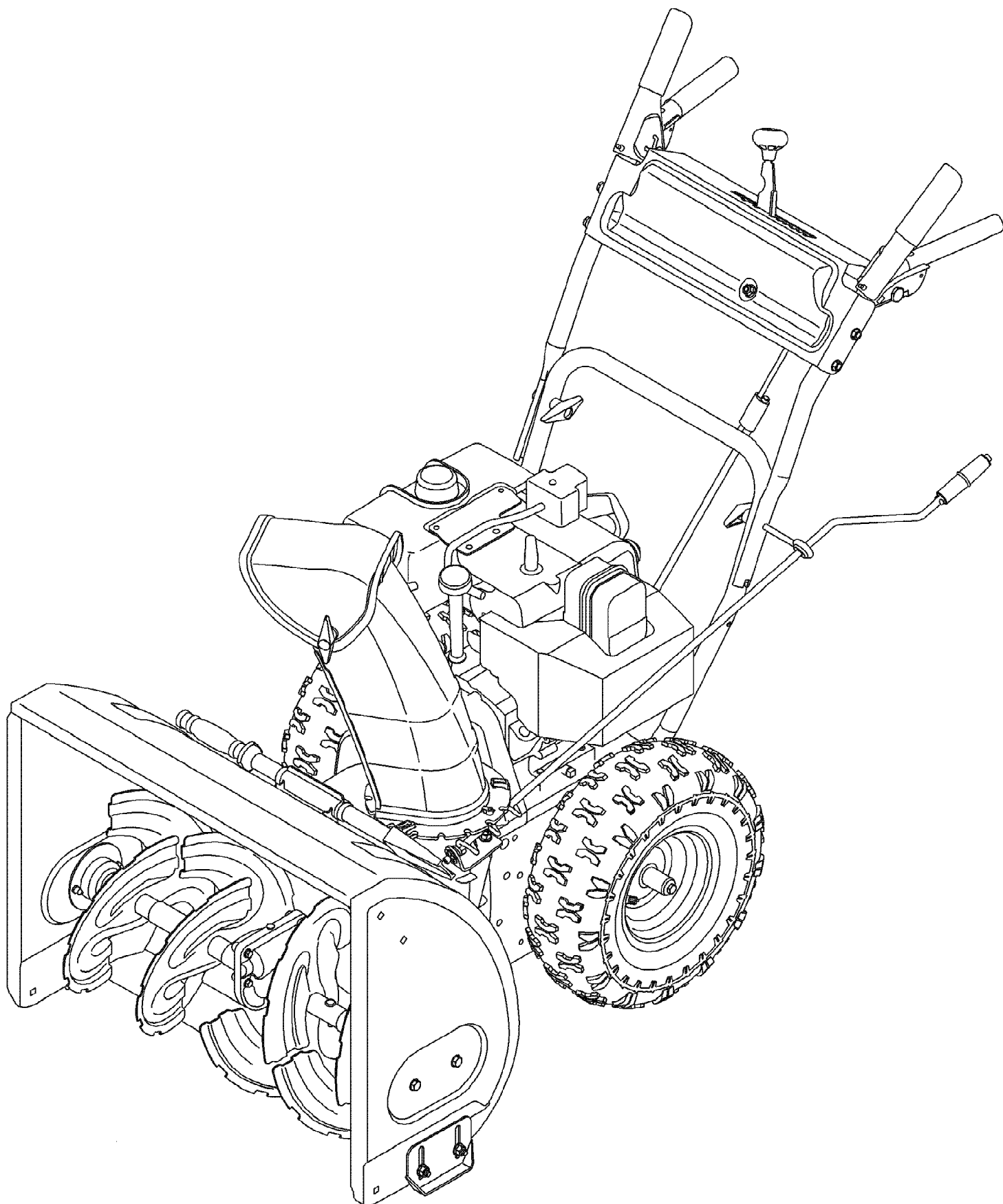
Ref #	Part Number	Qty	S/P/F	Description
1	684-04106B	1	/P	Handle Engagement Assembly RH
2	738-04194	1		Flange Shoulder Screw
3	731-04894C	1	S	Lock Plate
4	711-04287	1	S	Pivot Rod
5	735-0199A	1	S	Rubber Bumper
6	710-04354	1	/P	Screw, 1/4-20 x .375
7	731-04896B	1	/P	Clutch Lock Cam
8	712-04081A	1		Shoulder Nut, 1/4-20
9	725-04214	1		Wire Harness Not Shown
9	725-04216A	1		Wire Harness w/ Htd Grip Not Shown
10	725-1649	1	S	Light Socket
11	720-0274	1	/P	Handle Grip
11	725-1757	1		Heated Handle Grip
12	710-1233	1	/P	Screw, #10-24 x 0.375
13	738-04122	1	S	Shoulder Screw, 1/4-20 x 1.345
14	710-04586	1		Screw, 1/4-20 x 1.625
15	749-04190A	1	/P	Upper Handle RH
16	710-0449	1	S	Carriage Screw, 5/16-18 x 2.25
17	720-04039	1		Shift Knob
18	931-05348	1	/P	Handle Panel L-Style
19	731-05320	1		Lens
20	725-04213	1	S	Lamp
21	631-04134B	1		Handle Clutch Lock -RH
22	725-0157	1	/P	Cable Tie
23	712-04064	1	/P	Flange Lock Nut, 1/4-20
24	732-0193	1	/P	Compression Spring
25	790-00311	1	S	Shift Lever
26	790-00248A	1	S	Panel Bracket
27	738-04125	1		Shoulder Screw
28	714-0145	1	S	Click Pin
29	746-04396	1	S	Speed Selector Cable
30	731-04954	1		Steering Triggers
31	736-0463	1	S	Flat Washer, .25 x .630 x .0515
32	710-0606	1	/P	Hex Screw, 1/4-20 x 1.50
33	731-04427A	1	/P	Upper Chute
34	790-00131	1	S	Joystich Bracket
35	710-04187	1	/P	Hi-Lo Screw, 1/4-15 x 0.5
36	684-04116B	1	S	4-Way Chute Control
37	749-04191A	1		Upper Handle LH
38	710-04326	1		Screw, #8-16 x 0.50
39	732-04219A	1	S	Clutch Lock Spring
40	725-04393	1		Heated Grip Switch
41	738-04126	1		Pin, 3/16
42	716-04036	1		E-Ring
43	631-04133A	1	/P	Handle Clutch Lock - LH
44	684-04105B	1	/P	Handle Engagement Assembly LH
45	784-5594	1		Cable Braket
46	720-0284	1	S	Wing Knob
47	714-04040	1		Bow-Tie Cotter Pin
48	712-04063	1	/P	Flange Lock Nut, 5/16-18
49	731-1313C	1	/P	Chute Tilt Cable Guide
50	710-0837	1		AB Screw
51	711-04469A	1		

31AH6LLG790 (2007)

Page 9 of 11

L-Style Handle, Frame & Discharge Chute

Ref #	Part Number	Qty	S/P/F	Description
52	710-04484	1		AB Screw, 5/16-18 x 0.750
53	749-04138A	1	/P	Lower Handle
54	726-0470	1		Cable Tie
55	732-04238	1		Torsion Spring
56	736-0267	1	S	Flat Washer, .385 x .87 x .06
57	731-04890A	1	S	JoyStick Pulley Cover
58	710-0262	1	/P	Carriage Bolt, 5/16-18 x 1.0
59	710-0895	1		Hi-Lo Screw, 1/4-15 x .75
60	710-04071	1		Carriage Bolt, 5/16-18 x 1.0
61	731-04861B	1		Lower Chute
62	710-0627	1	/P	Hex Screw, 5/16-18 x 1.0
63	684-04162B	1	S	Chute Support Bracket
64	712-3087	1	/P	Wing Nut, 1/4-20
65	731-04869	1	S	Chute Flange Keeper
66	777X41803	1		Lens Reflector Label



31AH6LLG790 (2007)
Quick Reference LLG

Page 11 of 11

Ref #	Part Number	Qty	S/P/F	Description
	759-3338	1	/P	Spark Plug
	TC-35062	1	/P	Key
	929-0071	1	S	Extension Cord
	731-2643	1	S	Snow Removal Tool
	790-00121	1		Shave Plate
	790-00091	1		Slide Shoe
	738-04124A	1	/P	Shear Pin
	714-04040	1		Bow Tie Cotter Pin
	925-04213	1	/P	Lamp
	954-04050	1	/P	Auger Drive Belt
	954-0367	1	/P	Wheel Drive Belt
	NA	1		Spiral Crescent
	NA	1		Rubber Paddle
	684-04153	1		Friction Wheel Assembly
	935-04054	1	/P	Friction Wheel Rubber